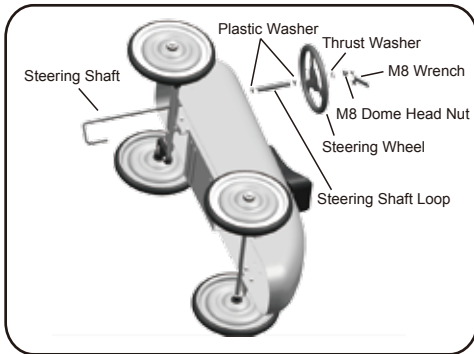


#### 4. Wheel Assembly

- Attach the Front Wheel (#8) to the front wheel axle, insert  $\Phi 20 \times \Phi 10.5 \times 2.0$  Washer (#9) and Hub Cap (#16).
- Tighten the hub cap with the Hub Cap Tool (#19) and hammer (not included).
- Attach the Back Wheel Axle Loop (#12) & the Rear Wheels (#8) to the rear wheel axle, insert  $\Phi 20 \times \Phi 10.5 \times 2.0$  Washer (#9) and Hub Cap (#16), then tighten the hub cap with the Hub Cap Tool (#19) & hammer.



#### 5. Steering Wheel Assembly

- Insert the Steering Shaft (#6) through the bonnet from underneath.
- Insert on top the Plastic Washer (#7) Steering Shaft Loop (#4) and the other Plastic Washer (#7) as shown.
- Then attach the Steering Wheel (#1) and Thrust Washer (#13) and the M8 Dome Head Nut (#17).
- Tighten the nut with M8 Wrench (#20).

# The Racer C€

## Assembly and Safety Instructions

Model No.: 753321/10032727



### CARE & MAINTENANCE

- Use a soft, dry or damp cloth to clean surface of the vehicle. Do not use soap and water, solvents or abrasive materials to wash the vehicle or spray it with a hose.
- Check all screws and their protective coverings regularly and tighten as required.
- Put the vehicle away when not in use and do not store in direct sunlight.

**jollyroom** .se

Made in China

Produced by: Jollyroom AB  
 Tagenevägen 58  
 425 37, Hisings Kärra, SWEDEN  
 Consumer contact: 046 (0) 31-310 00 00

Please read this manual carefully before assembly and use.  
 Product features may vary from the picture above.

**WARNING:** Contains small parts, sharp points and sharp edges. Adult assembly required.

**WARNING:** Choking Hazard  
 Contains small parts. Not for children under 2 years old!

## SPECIFICATION

For Ages:	2 and up
Vehicle Dimension:	76.7x40x38.5cm
Net Weight:	6.2kgs
Maximum Weight Limit:	25kgs

## CAUTION

1). Keep Children Within Safe Riding Areas. Keep away from swimming pools and other bodies of water to prevent drownings. Do not use on slope, roads, near highway, near cars, steps, steep inclines, and alleys.

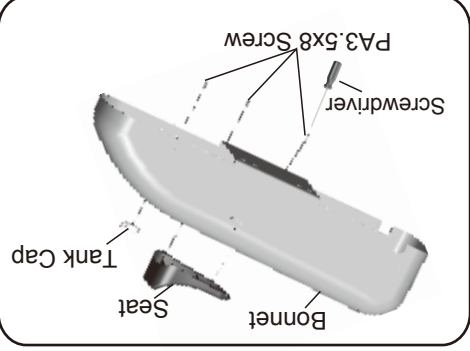
- 2). Direct Adult Supervision Required.
- 3). Only one child should ride this vehicle at a time. The weight limit is 25kgs. Do not overload.
- 4). Always sit on the seat.
- 5). Always wear shoes or suitable footwear.
- 6). Take care when driving the vehicle.
- 7). Destroy polybag after you have unpacked vehicle carton to avoid accidents and suffocation. Children must not play with the plastic bags.

## RIDING HAZARD

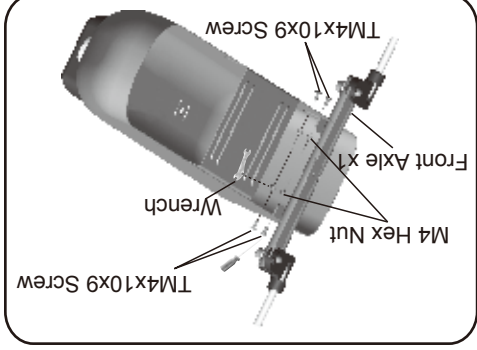
## COMPONENT LIST

1. Steering Wheel x 1	2. Rear Axle x 1	3. Seat x 1	4. Steering Shaft Loop x 1	5. Front Axle x 1	6. Steering shaft x 1
7. Plastic Washer x 2	8. Wheel x 4	9. 20x610.5x2.0 x 4	10. TM4x10x9 Screw x 8	11. Bonnet x 1	12. Back Axle Loop x 2
13. Thrust Washer x 1	14. Tank Cap x 1	15. M4 Hex Nut x 8	16. Hub Cap x 4	17. M8 Dome Head Nut x 1	18. PA3.5x8 Screw x 3
19. Hub Cap Tool x 1	20. M8 Wrench x 1	21. Wrench x 1	22. Hammer x 1 (Not Included)		

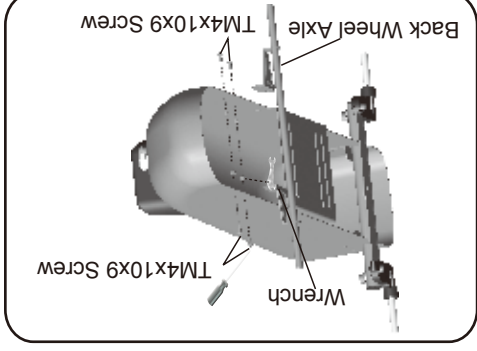
## INSTALLATION INSTRUCTIONS



1. Seat & Tank Cap Assembly
  - Attach the Seat (#3) to the top of the Bonnet (#1) as shown.
  - Insert PA3.5x8 Screws (#18) into the seat screw hole, tighten the screw with screwdriver (not included).
  - Attach the Tank Cap (#14) to the back of the Bonnet.
  - Insert PA3.5x8 Screws (#18) into the screw hole, tighten the screw with screwdriver.



2. Front Axle Assembly
  - Attach the Front Axle (#5) to the front of bonnet and line up as shown.
  - Insert TM4x10x9 Screw (#10) & M4 Hex Nut (#15) Tighten the screws & nuts with screwdriver and Wrench (#21).



3. Rear Axle Assembly
  - Attach the Rear Axle (#2) to the rear of bonnet and line up as shown.
  - Insert TM4x10x9 Screw (#10) & M4 Hex Nut (#15) Tighten the screws & nuts with screwdriver and Wrench (#21).